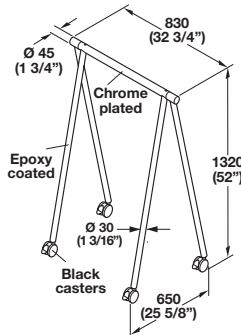


TEAMWARE

- Products designed for conference and training rooms
- Components are attractive, easy to use, and easy to store
- Adjustable hooks accommodate various flip chart hole patterns
- Adjustable pedestals shown (see pages 1174–1178)
- Flip-flop table shown (see page 1202)



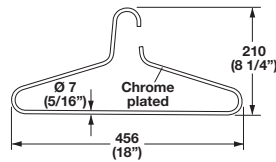
Coat Rack

52" tall for hanging clothes such as sweaters, sport coats, jackets, etc. Please order hangers separately. Simple assembly required.

Material: steel, epoxy-coated
Top rail: chrome-plated
Casters: plastic, black

Color	Item No.
silver RAL 9006	630.19.200

Packing: 1 set

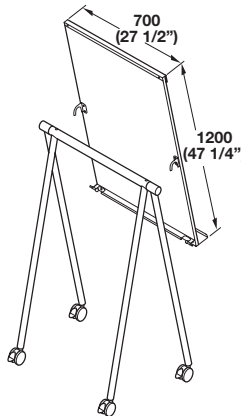


Hangers

Material: steel

Color	Item No.
chrome-plated	630.19.292

Packing: 1 set (10 pcs.)



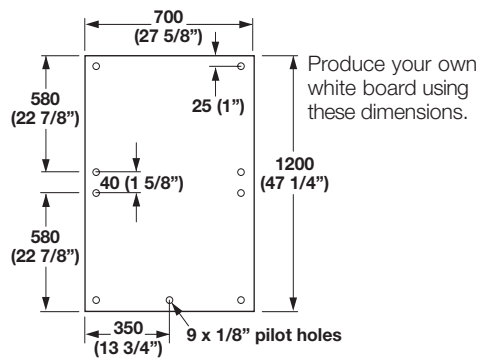
Easel Support

Includes: Top rail and hooks for flip charts, and hooks and bottom tray for attaching white board. Please order white board separately. Flip charts, pens, and erasers are not provided. Simple assembly required.

Material: steel, epoxy-coated
Top rail: chrome-plated
Casters: plastic, black

Color	Item No.
silver RAL 9006	630.19.291

Packing: 1 set



White Board

Non-metallic white board material, pre-drilled to accept all Easel Support accessories. See dimensions at left to produce your own white board.

Material: covered particleboard

Color	Item No.
white	630.19.790

Packing: 1 set

Dimensions in mm
Inches are approximate

Dimensional data not binding. We reserve the right to alter specifications without notice.